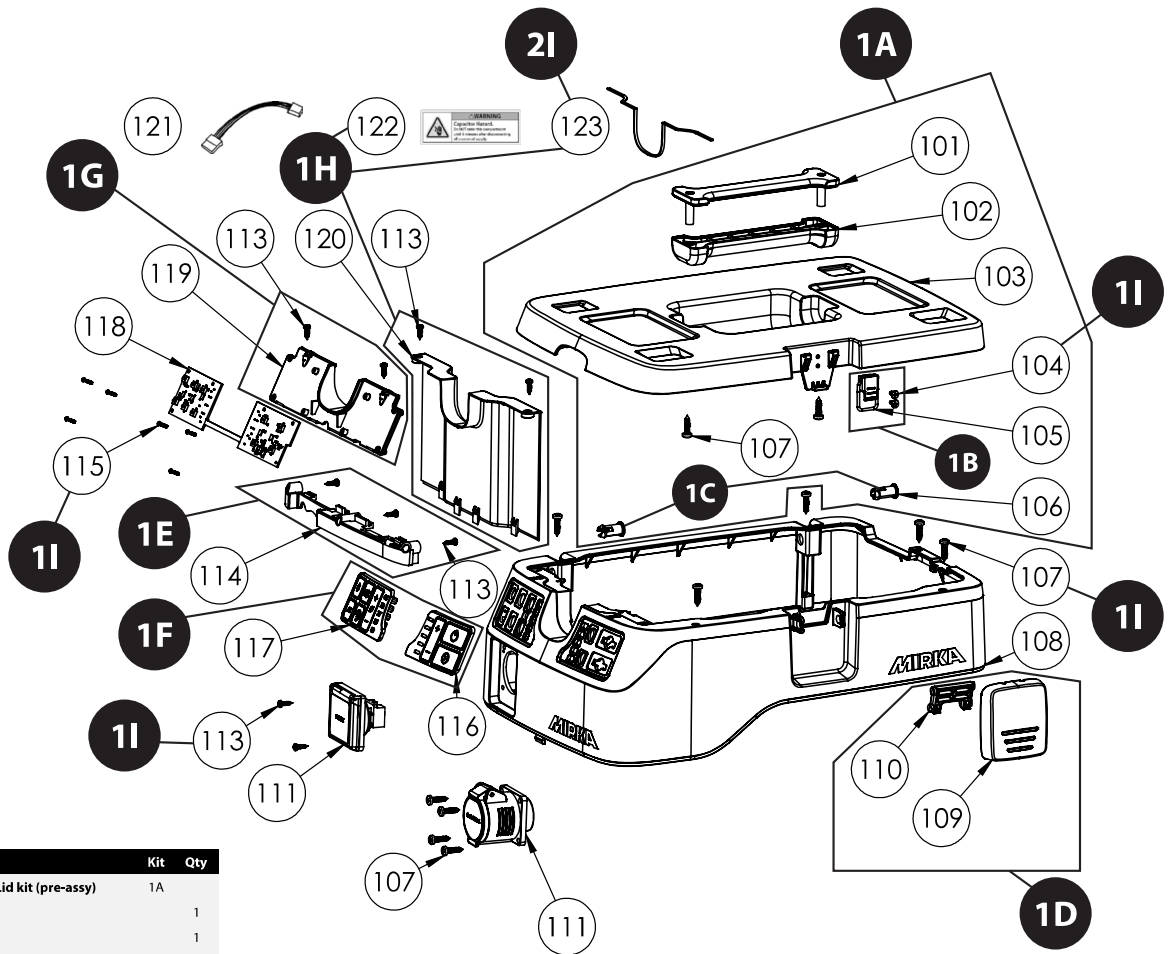


Exploded view of Dust Extractor DEXOS 1217 M AFC, 230 V & 110 V
 Updated 10.09.2024

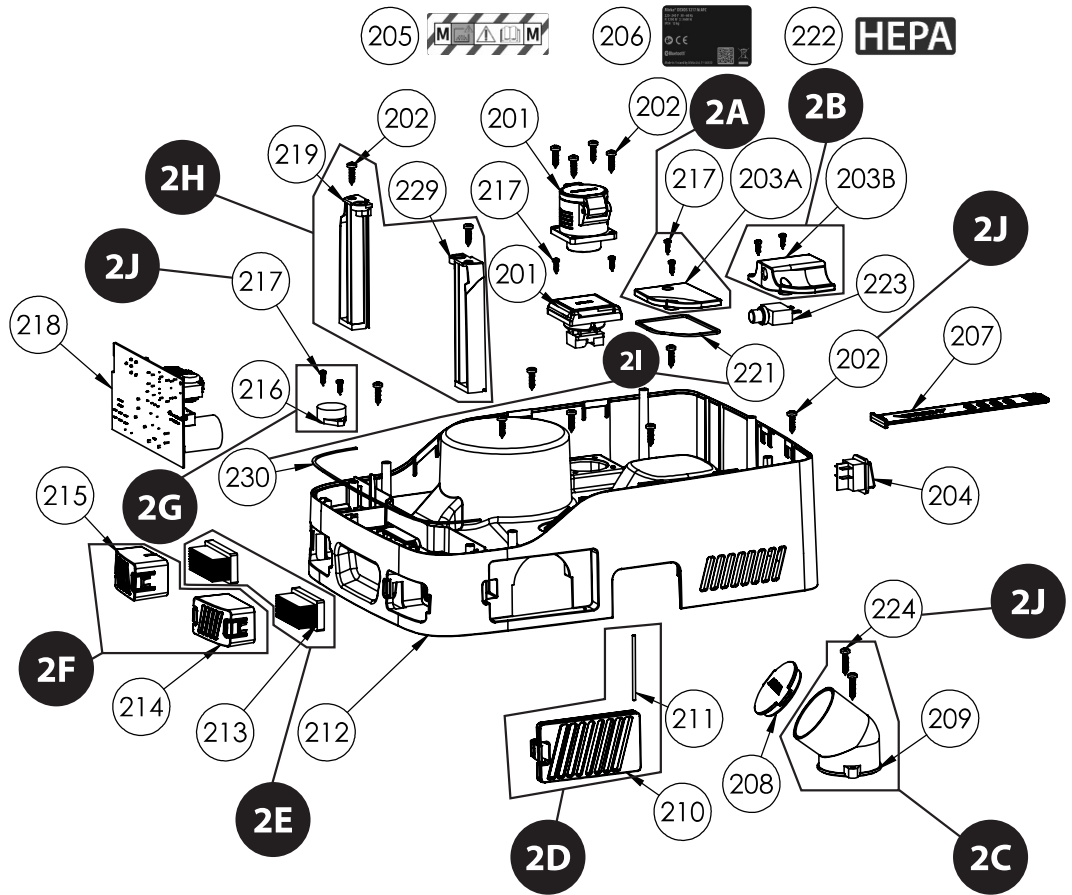


Parts included in kits

Mirka Code	Item	Description	Kit	Qty
MIX1221011		Handle & Top Lid kit (pre-assy)	1A	
	101	Handle Top	1	1
	102	Handle Lower	1	1
	103	Top Lid	1	1
	104	Screw 3,5 x 12mm	2	2
	105	Case Fastening Clamp	1	1
	106	Lid Hinge Pin	2	2
	107	Screw 4,8x19mm	2	2
MIX1211051		Case Fastening Clamp kit	1B	
	104	Screw 3,5 x 12mm	2	2
	105	Case Fastening Clamp	1	1
MIX1211061		Lid Hinge Pin kit	1C	
	106	Lid hinge pin	2	2
MIX1221091		Top Lid Clamp kit	1D	
	109	Top Lid Clamp	1	1
	110	Top Lid Clamp Joint	1	1
MIX1211141		Bracket kit Motor Driver PCB	1E	
	113	Screw 3,5 x 13mm	3	3
	114	Bracket for Motor Driver PCB	1	1
MIX1221161		Button Plates kit M-class	1F	
	116	Button Plate Right	1	1
	117	Button Plate Left M-class	1	1
MIX1211191		Bracket kit User Interface PCB	1G	
	113	Screw 3,5 x 13mm	2	2
	119	Bracket User Interface PCB	1	1
MIX1211201		Cover kit Electronic Compartment	1H	
	113	Screw 3,5 x 13mm	2	2
	120	Cover Electronic Compartment	1	1
	122	Warning Label	1	1
	123	Seal for Electronic Compartment	1	1
MIX1221041		Screw kit	1I	
	104	Screw 3,5 x 12mm	2	2
	107	Screw 4,8 x 19mm	7	7
	113	Screw 3,5 x 13mm	7	7
	115	Screw 2,5 x 10mm	6	6

Separate spare parts

Mirka Code	Item	Description	Kit	Qty
	101	Handle Top	1A	1
	102	Handle Lower	1A	1
	103	Top Lid	1A	1
	104	Screw 3,5 x 12mm	1A,1B,1I	2
	105	Case Fastening Clamp	1A,1B	1
	106	Lid Hinge Pin	1A,1C	2
	107	Screw 4,8x19mm	1A,1I	7
MIX1211081	108	Housing Top Section	1	1
	109	Top Lid Clamp	1D	1
	110	Top Lid Clamp Joint	1D	1
MIX9502011	111	Socket 16A/250V (EU) + Power Sticker	1	1
MIX9512011	111	Socket 13A/230V (UK) + Power Sticker	1	1
MIX9522011	111	Socket 16A/130V (UK) + Power Sticker	1	1
MIX9532011	111	Socket 15A/125V (US) + Power Sticker	1	1
MIX9542011	111	Socket 16A/250V (CH) + Power Sticker	1	1
MIX9552011	111	Socket 10A/250V (ANZ) + Power Sticker	1	1
	113	Screw 3,5 x 13mm	1E,1G,1H,1I	7
	114	Bracket Motor Driver PCB	1E	1
	115	Screw 2,5 x 10mm	1I	6
	116	Button Plate Right	1F	1
	117	Button Plate Left M-class	1F	1
MIX1211181	118	User Interface PCB	1	1
	119	Bracket User Interface PCB	1G	1
	120	Cover Electronic Compartment	1H	1
MIX1211211	121	User Interface Cable	1	1
	122	Warning Label	1H	1
	123	Seal to Electronic Compartment Cover	1H, 2I	1



Parts included in kits

Mirka Code	Item	Description	Kit	Qty
MIX1212031		Cover kit Power Cable	2A	
	203A	Cover Power Cable		1
	217	Screw 3,5 x 13mm		2
MIX1262031*		Cover kit Power Cable (ANZ)	2B	
	203B	Cover Power Cable, AU/NZ		1
	217	Screw 3,5 x 13mm		2
MIX1212091		Hose Inlet kit	2C	
	209	Hose Inlet		1
	224	Screw 4,8 x 25mm		2
MIX1222101		Outlet Lid kit	2D	
	210	Outlet Lid		1
	211	Outlet Lid Hinge Pin		1
MIX1212131		Cooling Air Filter kit for DEXOS	2E	
	213	Cooling Air Filter		2
MIX1222141		Cover kit Cooling Air Filter	2F	
	214	Cooling Air Filter Cover Right		1
	215	Cooling Air Filter Cover Left		1
MIX1212161		Buzzer kit	2G	
	216	Buzzer		1
	217	Screw 3,5 x 13mm		2
MIX1222191		Support Bracket kit	2H	
	202	Screw 4,8x19mm		2
	219	Support Bracket Left		1
	229	Support Bracket Right		1
MIX1212211		Sealing kit to Housing and Covers	2I	
	123	Seal to Electronic Compartment Cover		1
	221	Seal to Power Cable Cover		1
	230	Seal for Housing Middle Section		1
MIX1221041		Screw kit	2J	
	202	Screw 4,8 x 19mm		9
	217	Screw 3,5 x 13mm		4
	224	Screw 4,8 x 25mm		2

* Standard in Australia/New Zealand

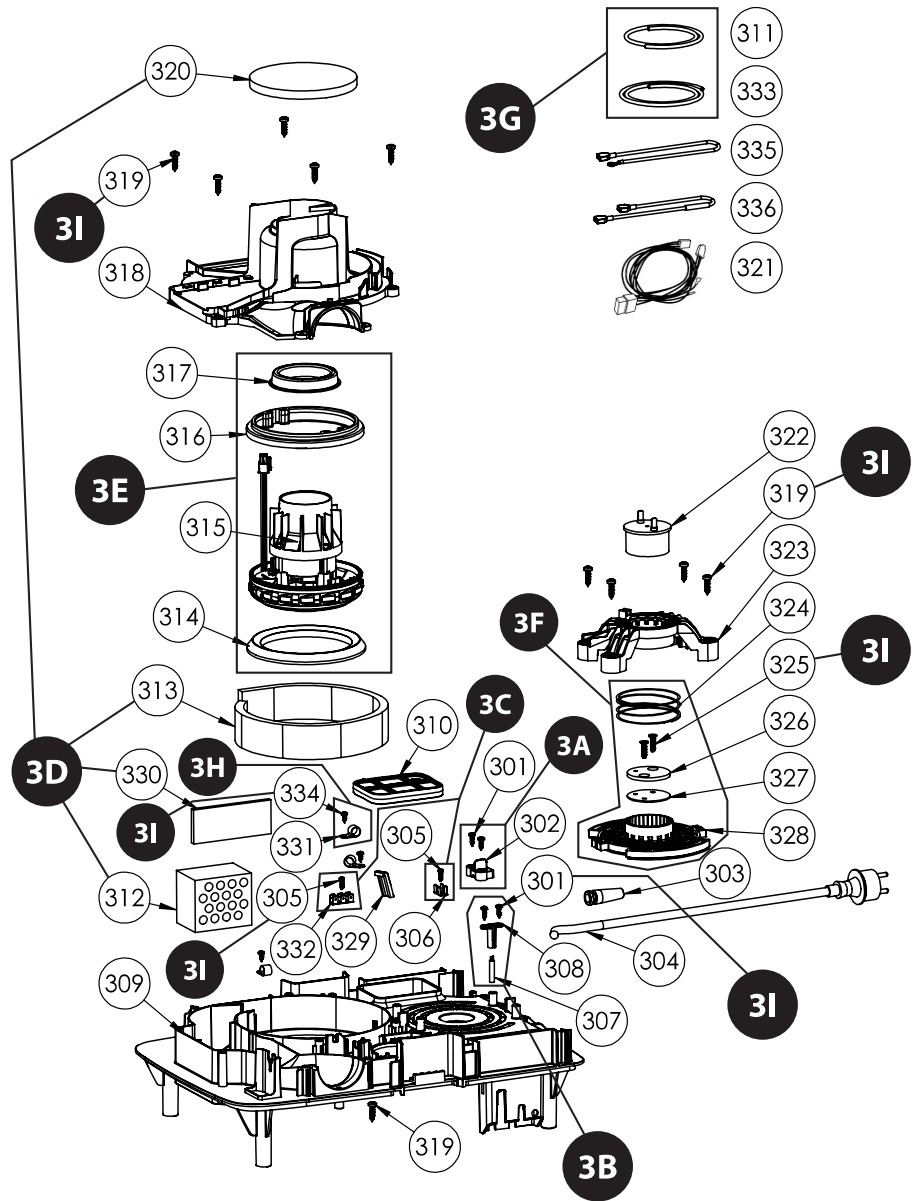
Separate spare parts

Mirka Code	Item	Description	Kit	Qty
MIX9502011	201	Socket 16A/250V (EU) + Power Sticker		1
MIX9512011	201	Socket 13A/230V (UK) + Power Sticker		1
MIX9522011	201	Socket 16A/130V (UK) + Power Sticker		1
MIX9532011	201	Socket 15A/125V (US) + Power Sticker		1
MIX9542011	201	Socket 16A/250V (CH) + Power Sticker		1
MIX9552011	201	Socket 10A/250V (ANZ) + Power Sticker		1
	202	Screw 4,8 x 19mm	2H,2J	9
	203A	Cover Power Cable	2A	1
	203B	Cover Power Cable, AU/NZ	2B	Opt.
MIX1212041	204	Power Switch		1
MIX1212051	205	Dust Class Label M		1
MIX1212061	206	Type Label EU		1
MIX1232061	206	Type Label US/CA		1
MIX1212071	207	Power Cord Strap		1
MIX1212081	208	Hose Inlet Cap		1
	209	Hose Inlet	2C	1
	210	Outlet Lid	2D	1
	211	Outlet Lid Hinge Pin	2D	1
MIX1212121	212	Housing Middle Section		1
	213	Cooling Air Filter	2E	2
	214	Cooling Air Filter Cover Right	2F	1
	215	Cooling Air Filter Cover Left	2F	1
	216	Buzzer	2G	1
	217	Screw 3,5 x 13mm	2A,2B,2G,2J	4
MIX1262181	218	Motor Driver PCB 110V		1
MIX1212181	218	Motor Driver PCB 230V		1
	219	Support Bracket Left	2H	1
	221	Seal to Power Cable Cover	2I	1
MIX1212221	222	HEPA Label		1
MIX1212231*	223	Resettable Fuse 10A, AU/NZ		Opt.
	224	Screw 4,8 x 25mm	2C,2J	2
	229	Support Bracket Right	2H	1
	230	Seal for Housing Middle Section	2I	1

* Standard in Australia/New Zealand

Parts included in kits

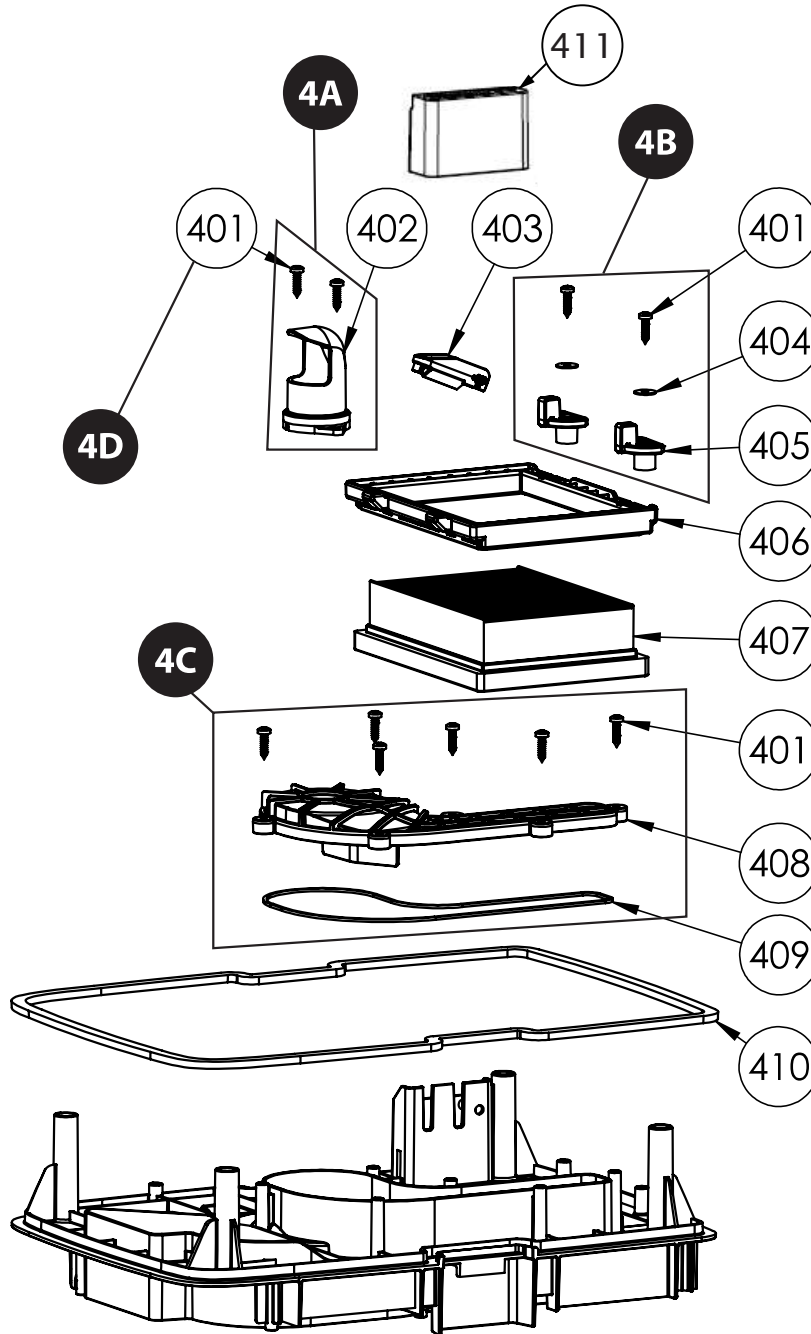
Mirka Code	Item	Description	Kit	Qty
MIX1213021		Strain Relief Clamp kit	3A	
	301	Screw 3,5 x 13mm		2
	302	Strain Relief Clamp		1
MIX1223071		Float Sensor kit	3B	
	301	Screw 3.5 x 13mm		2
	307	Float Sensor		1
	308	Float Sensor Holder		1
MIX1223061		Ground Terminal kit	3C	
	305	Screw 3 x 12mm		2
	306	Ground Terminal 4-Pin		1
	332	Ground Terminal 6-Pin		1
MIX1223121		Sound Absorber kit	3D	
	312	Sound Absorber Block		1
	313	Sound Absorber Turbine		1
	320	Sound Absorber Motor		1
	330	Sound Absorber Cooling Air		1
MIX1223151		Motor 230V/110V and Gasket kit	3E	
	314	Turbine Bottom Gasket		1
	315	Motor (230V/110 V)		1
	316	Turbine Top Gasket		1
	317	Motor Top Gasket		1
MIX1223281		AFC Valve kit (pre-assy)	3F	
	324	AFC Spring		1
	325	Screw 4,8 x 16mm		2
	326	AFC Plate		1
	327	AFC Shielding Plate		1
	328	AFC Valve		1
MIX1223111		Vacuum Tube kit	3G	
	311	Vacuum Tube, Short		1
	333	Vacuum Tube, Long		1
MIX1223311		Wire Clamp kit	3H	
	331	Wire Clamp		3
	334	Screw 3,5 x 9,5mm		3
MIX1221041		Screw kit	3I	
	301	Screw 3,5 x 13mm		4
	305	Screw 3 x 12mm		2
	319	Screw 4,8x19mm		10
	325	Screw 4,8 x 16mm		2
	334	Screw 3,5 x 9,5mm		3



Separate spare parts

Mirka Code	Item	Description	Kit	Qty
	301	Screw 3,5 x 13mm	3A,3B,3I	4
	302	Strain Relief Clamp	3A	1
MIX1213031	303	Strain Relief		1
MIX9013041	304	Power Cord (EU) 230V 7,5m+ Strain Relief		1
MIX9023041	304	Power Cord (UK) 230V 7,5m+ Strain Relief		1
MIX9033041	304	Power Cord (UK) 110V 7,5m+ Strain Relief		1
MIX9043041	304	Power Cord (US) 120V 7,5m+ Strain Relief		1
MIX9053041	304	Power Cord (CH) 230V 7,5m+ Strain Relief		1
MIX9073041	304	Power Cord (ANZ) 220V 7,5m+ Strain Relief		1
	305	Screw 3 x 12mm	3C,3I	2
	306	Ground Terminal 4-Pin	3C	1
	307	Float Sensor	3B	1
	308	Float Sensor Holder	3B	1
MIX1213091	309	Base Plate		1
MIX1213101	310	Suction Channel Lid		1
	311	Vacuum Tube, Short	3G	1
	312	Sound Absorber Block	3D	1
	313	Sound Absorber Turbine	3D	1
	314	Turbine Bottom Gasket	3E	1

Mirka Code	Item	Description	Kit	Qty
	315	Motor Unit	3E	1
	316	Turbine Top Gasket	3E	1
	317	Motor Top Gasket	3E	1
MIX1213181	318	Motor Cover		1
	319	Screw 4,8x19mm	3I	10
	320	Sound Absorber Motor	3D	1
MIX1213211	321	Main Wire Harness		1
MIX1213221	322	AFC Magnet		1
MIX1213231	323	AFC Holder		1
MIX1213241	324	AFC Spring	3F	1
	325	Screw 4,8 x 16mm	3F,3I	2
	326	AFC Plate	3F	1
	327	AFC Shielding Plate	3F	1
	328	AFC Valve	3F	1
MIX1213291	329	Pressure Measurement Cover		1
MIX1213301	330	Sound Absorber Cooling Air		1
	331	Wire Clamp	3H	3
	332	Ground Terminal 6-Pin	3C	1
	333	Vacuum Tube, Long	3G	1
	334	Screw 3,5 x 9,5mm	3H,3I	3
MIX1213351	335	Ground Wire Hose Inlet		1
MIX1213361	336	Ground Wire Impeller		1



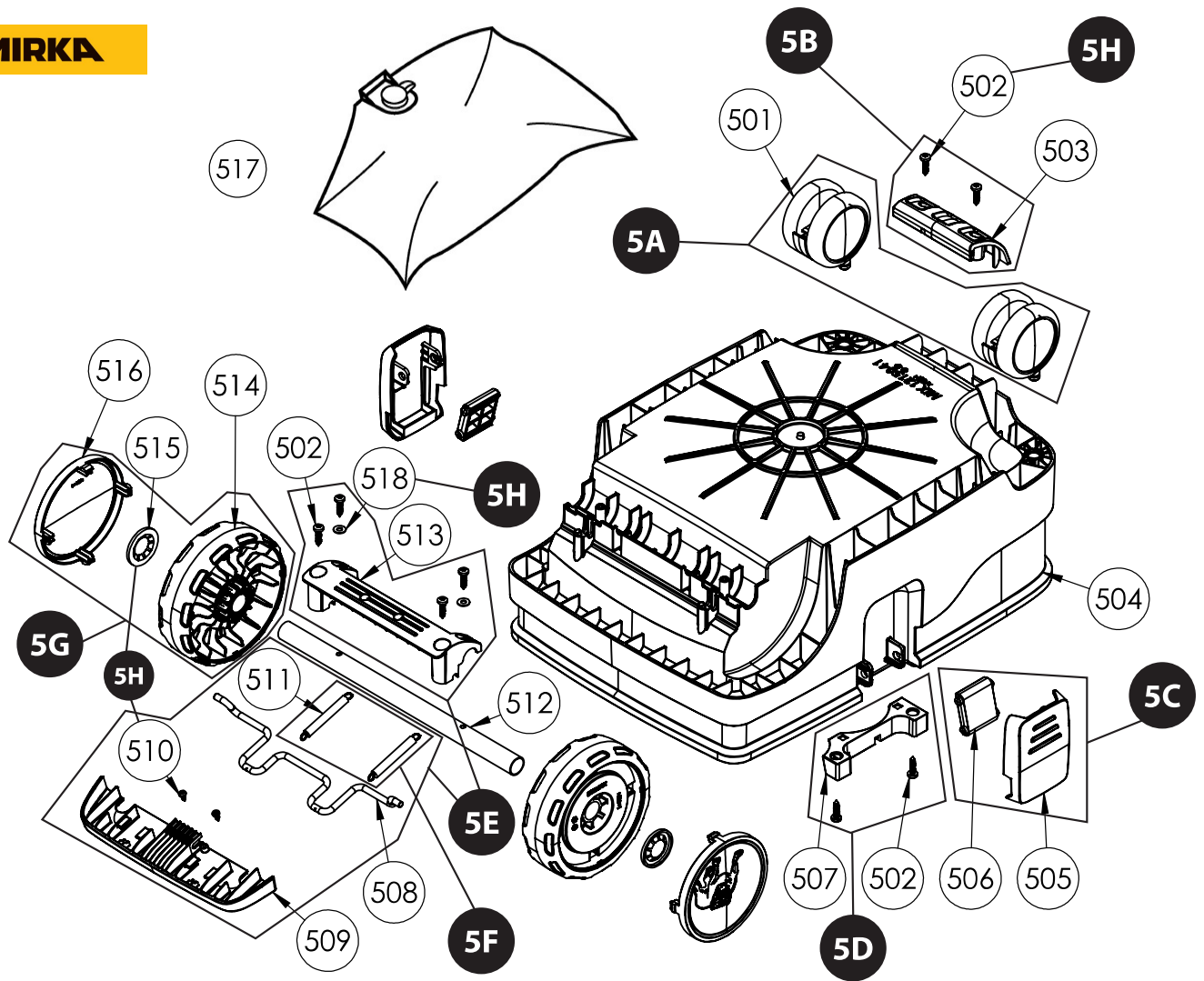
Parts included in kits

Mirka Code	Item	Description	Kit	Qty
MIX1214021		Container Inlet kit	4A	
	401	Screw 4,8x19mm		2
	402	Container Inlet		1
MIX1224051		Filter Knob kit	4B	
	401	Screw 4,8x19mm		2
	404	Washer M5		2
	405	Filter Knob		2
MIX1224081		Cover kit Suction Channel	4C	
	401	Screw 4,8x19mm		6
	408	Suction Channel Cover		1
	409	Suction Channel Cover Sealing		1
MIX1221041		Screw kit	4D	
	401	Screw 4,8 x 19mm		10

Separate spare parts

Mirka Code	Item	Description	Kit	Qty
	401	Screw 4,8x19mm	4A,4B,4C,4D	10
	402	Container Inlet	4A	1
MIX1214031	403	Floater with Magnet and Foam		1
	404	Washer M5	4B	2
	405	Filter Knob	4B	2
MIX1214061	406	Filter Frame		1
MIX1214071	407	Filter		1
MIX1264071*	407	HEPA H14 Filter		Opt.
	408	Suction Channel Cover	4C	1
	409	Suction Channel Cover Sealing	4C	1
MIX1214101	410	Container Sealing		1
MIX1214111	411	Floater Protection		1

* Standard in North America



Parts included in kits

Mirka Code	Item	Description	Kit	Qty
MIX1215011	Front Wheel kit		5A	
	501	Front Wheel		2
MIX1215031	Container Bumper kit		5B	
	502	Screw 4,8x19mm		2
	503	Container Bumper		1
MIX1225051	Container Clamp kit		5C	
	505	Container Clamp		1
	506	Container Clamp joint		1
MIX1215071	Dustbag Holder kit		5D	
	502	Screw 4,8x19mm		2
	507	Dustbag Holder		1
MIX1225091	Brake Pedal & Bracket kit		5E	
	502	Screw 4,8x19mm		4
	508	Brake Pedal Shaft		1
	509	Brake Pedal		1
	510	Screw 3,5 x 4,5mm		2
	511	Brake Spring		2
	513	Axle Bracket		1
	518	Washer M5		2
MIX1215111	Brake Spring kit		5F	
	511	Brake Spring		2
MIX1225141	Rear Wheel kit		5G	
	514	Rear Wheel		1
	515	Pushlock Washer		1
	516	Wheel Cap		1
MIX1221041	Screw kit		5H	
	502	Screw 4,8 x 19mm		8
	510	Screw 3,5 x 4,5mm		2
	515	Pushlock Washer		2
	518	Washer M5		2

Separate spare parts

Mirka Code	Item	Description	Kit	Qty
	501	Front Wheel	5A	2
	502	Screw 4,8x19mm	5D,5E,	8
	503	Container Bumper	5B	1
MIX1215041	504	Container		1
	505	Container Clamp	5C	2
	506	Container Clamp joint	5C	2
	507	Dustbag Holder	5D	1
	508	Brake Pedal Shaft	5E	1
	509	Brake Pedal	5E	1
	510	Screw 3,5 x 4,5mm	5E,5H	2
	511	Brake Spring	5E,5F	2
MIX1215121	512	Wheel Axle		1
	513	Axle Bracket	5E	1
	514	Rear Wheel	5G	2
	515	Pushlock Washer	5G,5H	2
	516	Wheel Cap	5G	2
MIX1215171	517	Dust Bag Fleece, 5/Pack		5
	518	Washer M5	5E,5H	2